

2019 ALL NEW KLIP-LOK CLASSIC 700 SOLAR FLUSH MOUNT

Better Design, Better Support, Better Price

We respect your project and installation. Every single detail of this 2019 new Klip-lok roof solar flush mount system has been considered and optimized.

- Rail structure has been optimized to enhance strength, and additional anti-sliding design for modules positioning stability
- Rail splice comes with side joining between rails, adding bottom holding increase significantly supporting strength.
- Universal mid clamp is fully per-assemble, self-standing by recessed spring and grounding clip. Universal for 30-40mm size solar modules. Inverted hooks for better contact with module frame.
- Universal end clamp is fully per-assemble for 30-40mm module size.

Every component has been fully optimized with better design, better support for easier, faster installation experience.

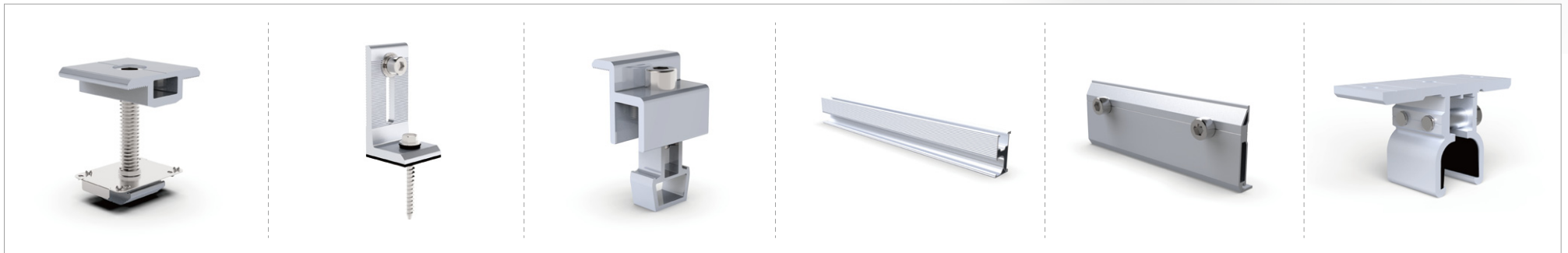
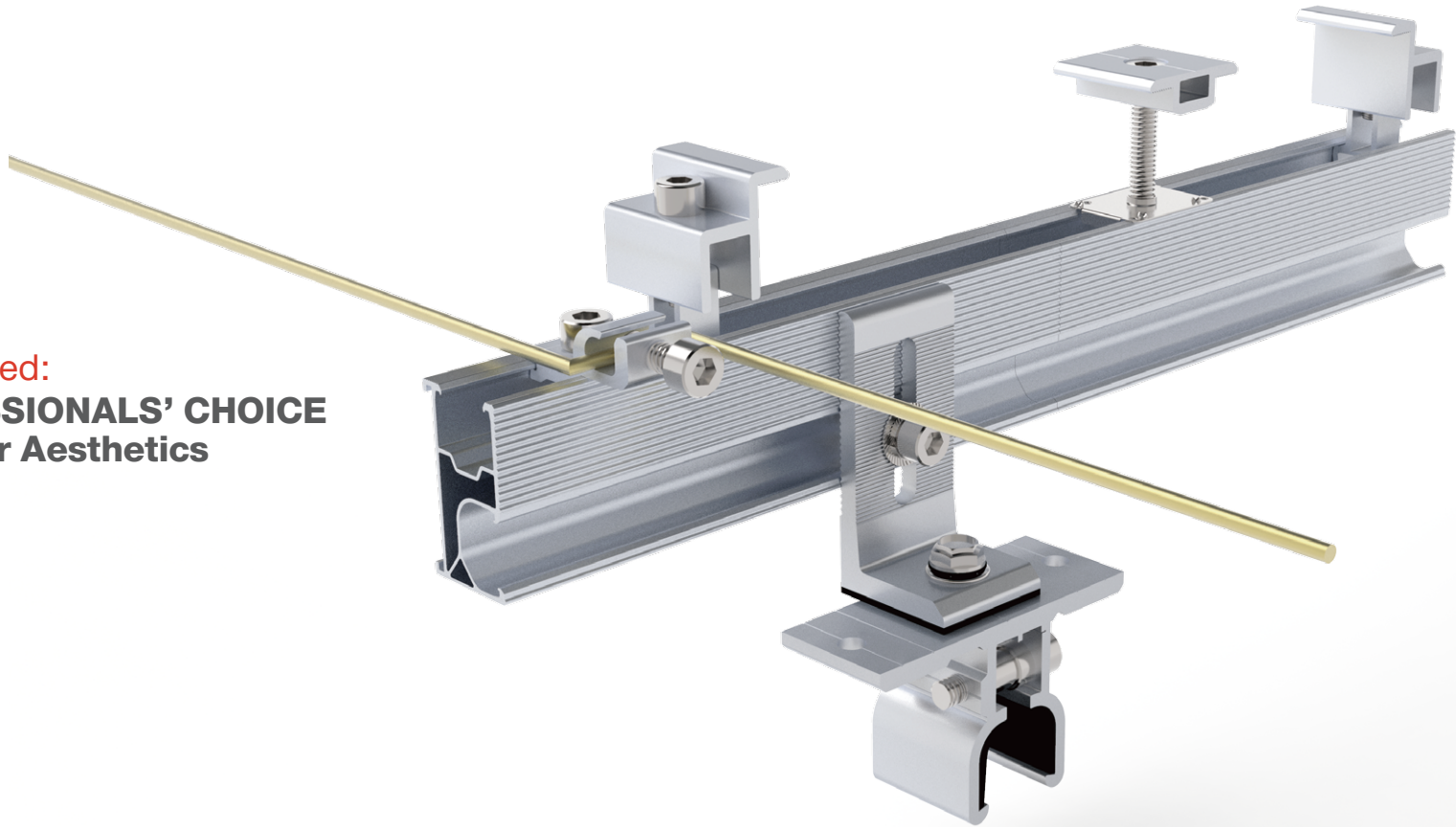
2019 ALL NEW SOLAR ROOR MOUNT is a professional choice for your roof solar mounting.



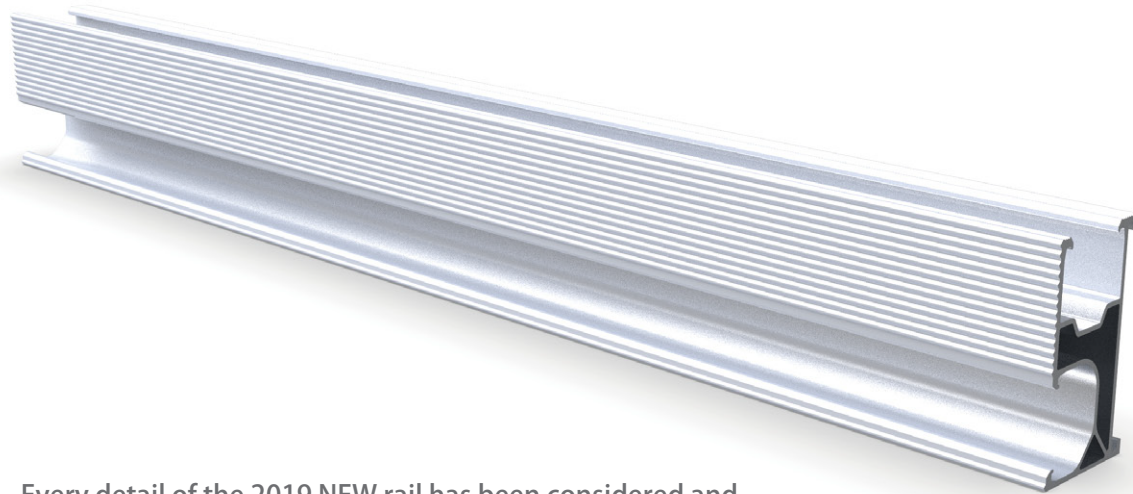
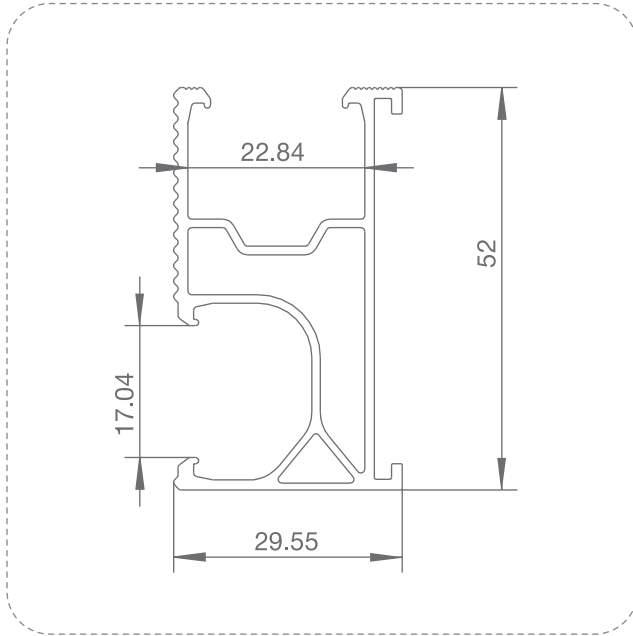
www.enerack.com

PUB
NOV
2019

New & Improved:
THE PROFESSIONALS' CHOICE
With Superior Aesthetics



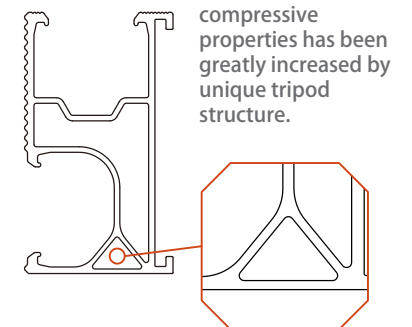
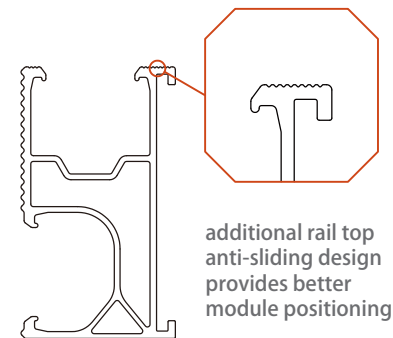
Factory-default for framed solar modules. For thin-film module please use a thin-film module mid clamp and end clamp with ENERACK new rail channel nut. Physical appearance will change. ENERACK reserves the right to make changes customized to specific project & customer without prior notification.



Every detail of the 2019 NEW rail has been considered and fully optimized in structural properties for a better strength with less material utilization and cost.

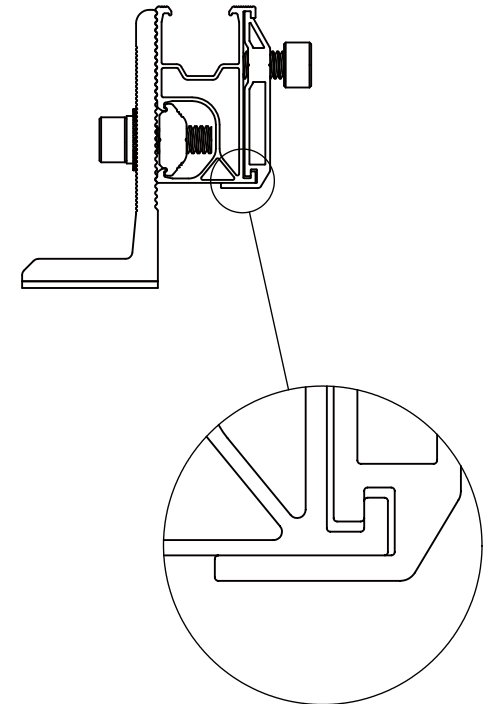
Section characteristics

Section area moment	$S_3=1851.55\text{mm}^3$, $S_2=1174.93\text{mm}^3$
Moment of inertia	$I_3=73040.08\text{mm}^4$, $I_2=25980.17\text{mm}^4$
Cross section modulus	$W_3(\text{min})=2634.66\text{mm}^3$, $W_2(\text{min})=1754.98\text{mm}^3$

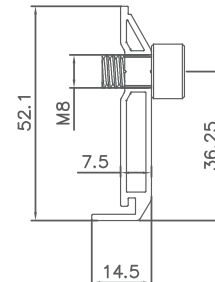
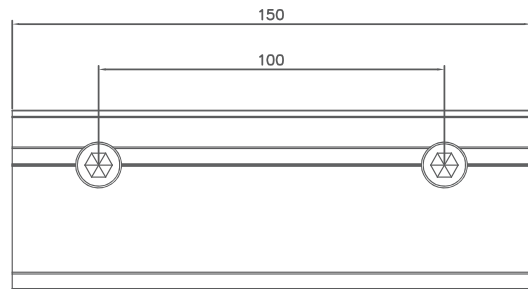
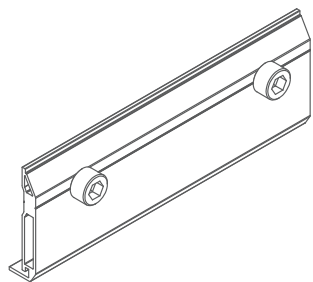


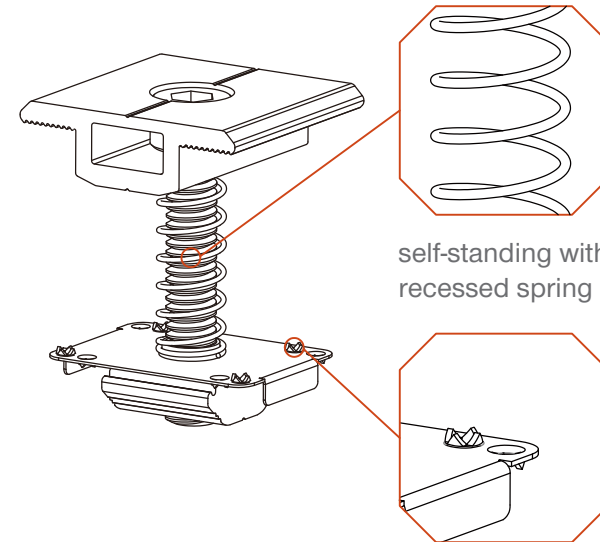
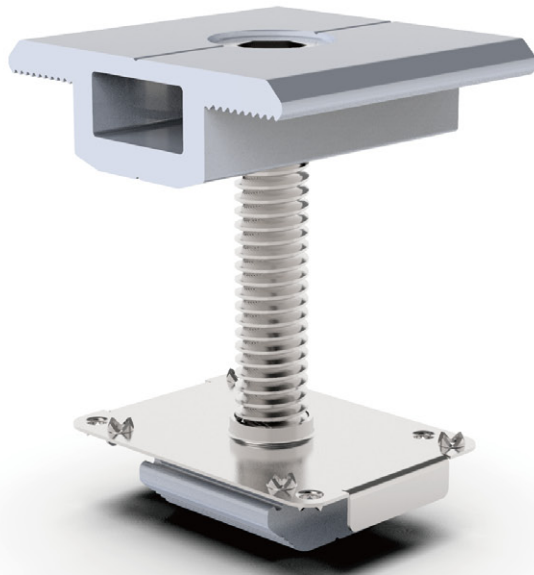


Rail can be easily spliced and bonded together with rail splices with great strength the additional bottom supporting to two joining rails provides additional safety and strength and significantly increase the rail compressive capacity.



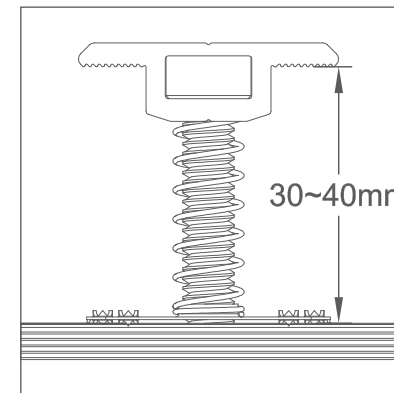
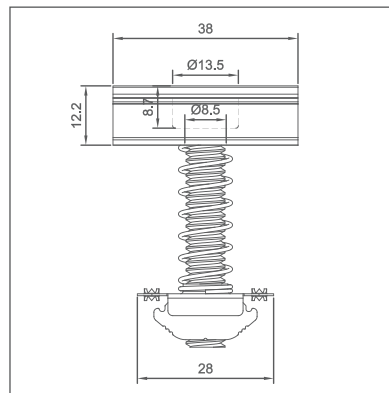
the additional bottom supporting to two joining rails provides additional safety and strength and significantly increase the rail compressive capacity.



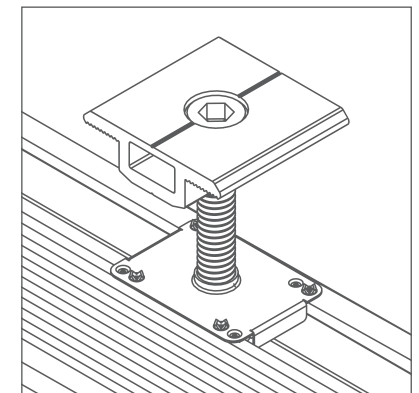


grounding pins 4 for rail, 4 for panel frame

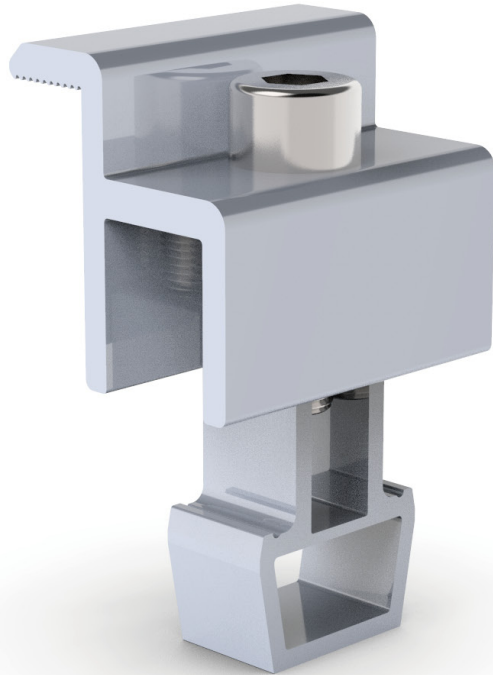
The mid clamp is universal for 30mm-40mm module size, fully pre-assembled with grounding clip, self standing by recessed spring.



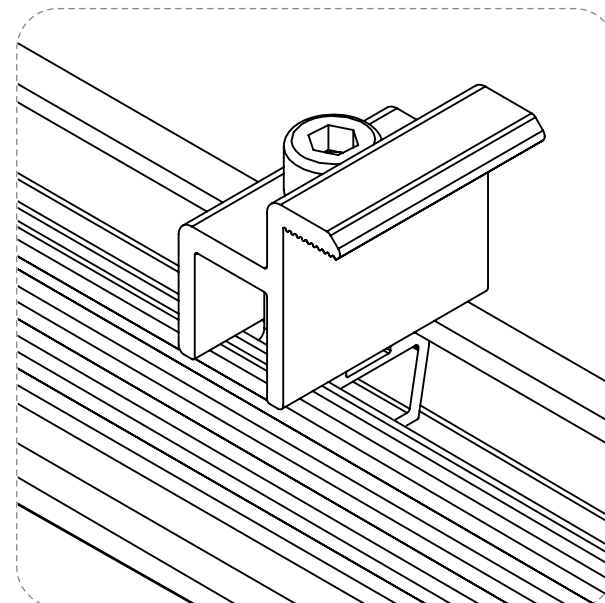
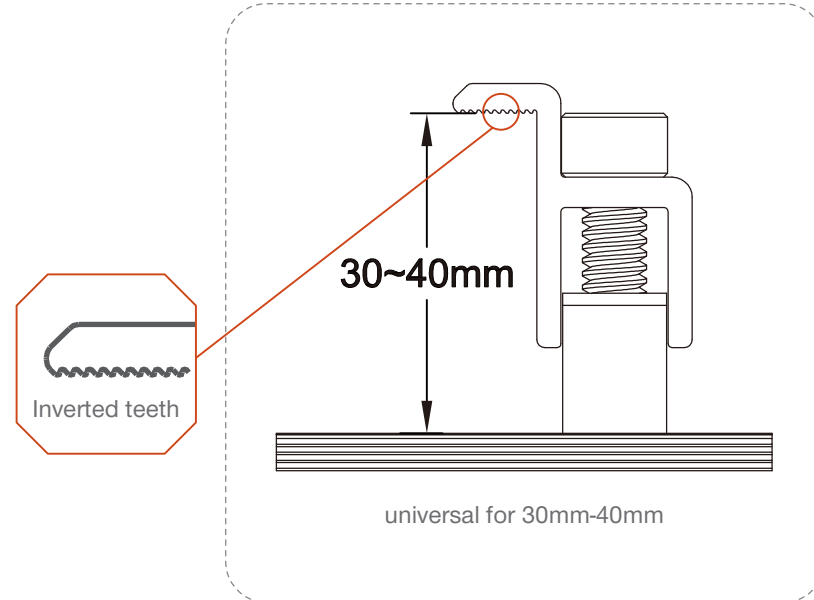
universal for 30mm-40mm



Self-standing, fully pre-assembled

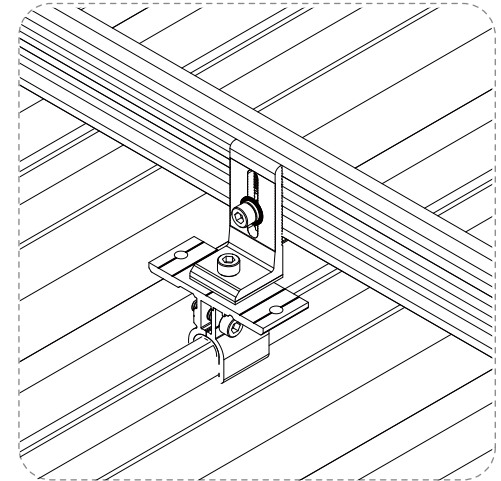
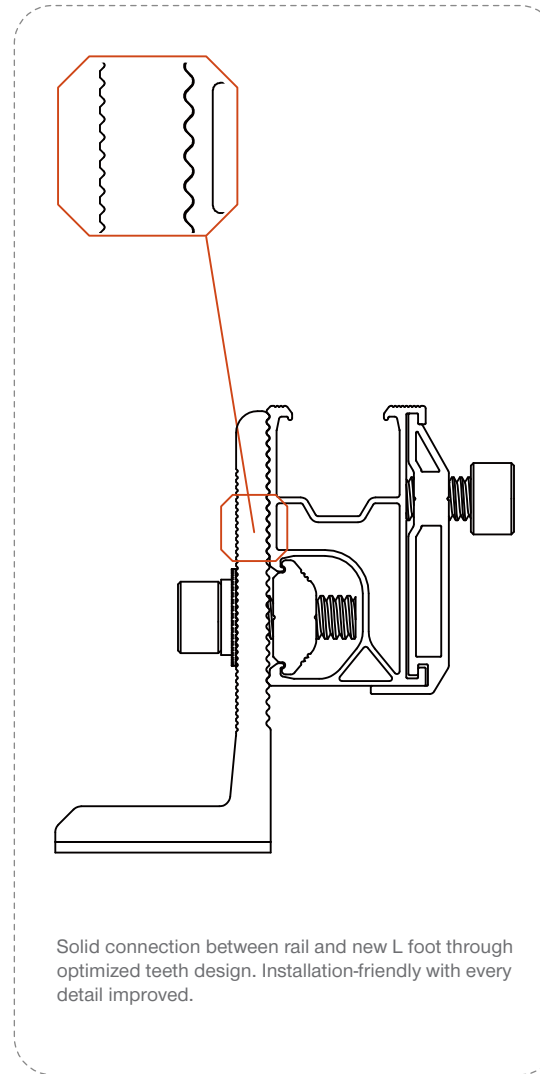


The END clamp is universal for 30mm-40mm module size, fully pre-assembled.

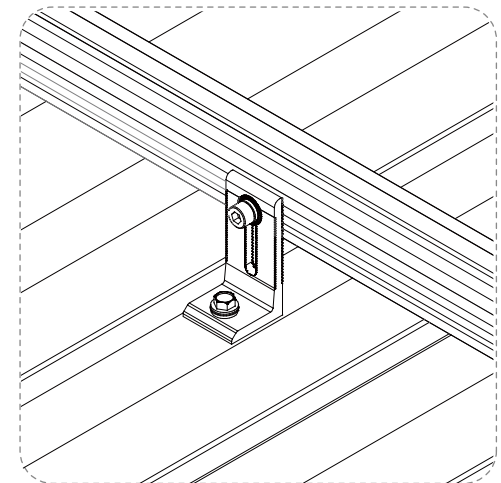




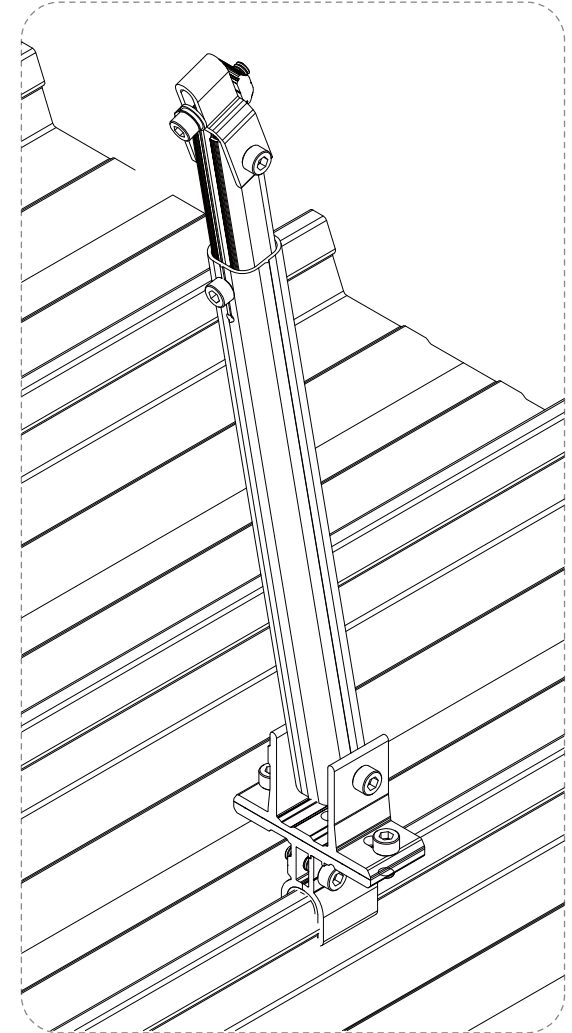
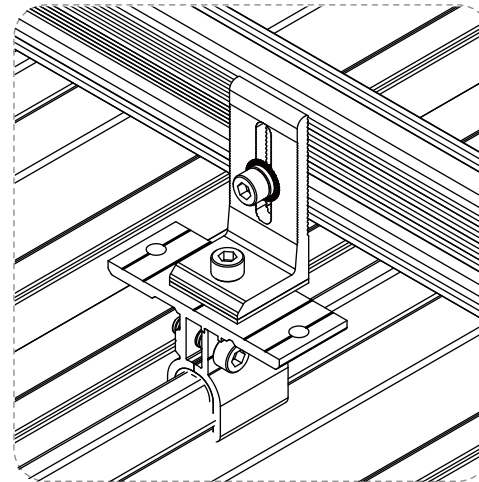
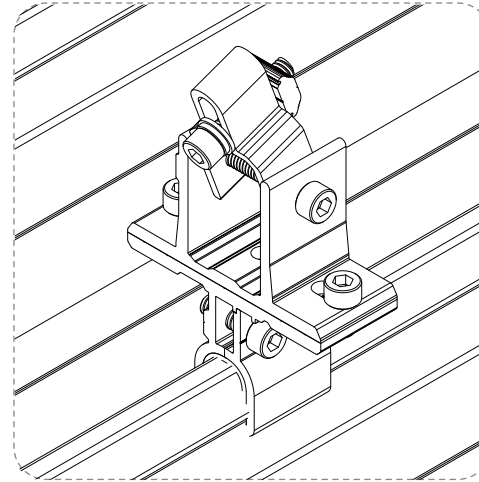
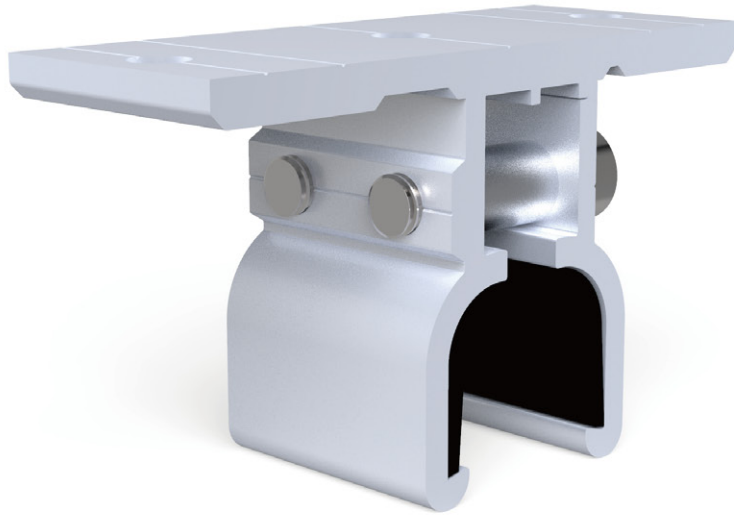
L foot has been further optimized in every detail, it comes with better strength and connection with rail, and installation-friendly.



Applied with clamps for A variety of different standing seam roof.



Applied with trapezoidal sheet metal, corrugated sheet metal by a wooden screw or self-drilling screw.



Clamp for LYSAGHT KLIP-LOK CLASSIC 700 Compatible with L foot for flush mount or adjustable legs for a tilt mount.

Each standing seam clamp includes

- 1.clamp (1 pcs)
- 2.EPDM
- 3.Side hex screw M8 x 30mm (2 pcs)
- 4.Top hex screw M8 x 25mm (1 pcs)

Material/finish

- 1.Clamp: extruded aluminum alloys: 6005-T5, clear anodized average 12um
- 2.hex screw: Stainless steel 304, A2 70

Brief technical data:

- Max.pull out load vertical to roof: up to 3.8KN
Screw tension: up to 11Nm

Material Warranty:

ENERACK provides a 10 - year limited warranty for the materials and manufacturing defects